

# SOFT CLOSE, QUICK RELEASE TOILET SEAT



## CONTACT DETAILS

UK: Croydex, Central Way, Andover, Hampshire, SP10 5AW, UK

Tel: +44 (0)1264 365881

EU: MIL, Unit 8 Purcellsinch Ind Est, Dublin Road, Kilkenny, R95 HP71, Ireland

Email: info@croydex.co.uk

www.croydex.com

**ALL PRODUCT DIMENSIONS DETAILED IN THIS INSTALLATION AND MAINTENANCE MANUAL ARE APPROXIMATE**

**ALL ILLUSTRATIONS OF THE PRODUCT ARE FOR REFERENCE ONLY. COMPONENTS SUPPLIED WITH INDIVIDUAL PRODUCTS MAY DIFFER**

Please follow all assembly and product care instructions to ensure that your product is assembled safely and retains its high quality finish.

## PLEASE RETAIN THIS MANUAL FOR FUTURE REFERENCE



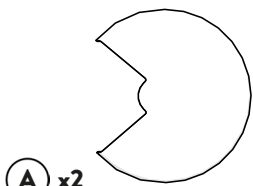
**ALWAYS CHECK THE PACKAGING FOR FIXINGS AND PARTS BEFORE RECYCLING OR DISPOSAL.**

**PLEASE READ THROUGH AND FULLY UNDERSTAND THE INSTRUCTION LEAFLET BEFORE STARTING THE INSTALLATION OF THIS CABINET.**

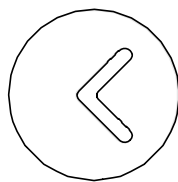
**ENSURE YOU HAVE ALL THE FIXINGS AND PARTS BEFORE ATTEMPTING TO ASSEMBLE OR FIT THIS CABINET.**

## SAFETY & PRODUCT CARE

1. To retain the best quality finish, clean product with a soft cloth and a mild soap solution.
2. **DO NOT** use abrasive or chemical cleaners as they may damage the surface of the toilet seat or hinges.
3. Spray any cleaning liquids onto the cloth and not directly onto the product.
4. **DO NOT** force the seat down as this can cause damage to the product and its function.
5. Take care when cleaning the toilet pan with chemical cleaners. Avoid contact of the chemical cleaners with the toilet seat or hinges. Immediately rinse off any splashes to avoid damage or discolouration to the surface of the toilet seat and hinge parts.



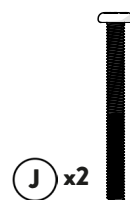
**A** x2  
CHROME CAP



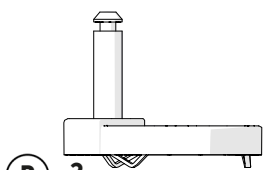
**C** x2  
SUPPORT COVER



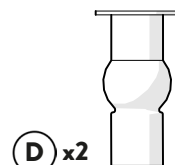
**H**  
NUT KEY



**J** x2  
SCREW



**B** x2  
FLEXI FIT BRACKET



**D** x2  
RUBBER PLUG



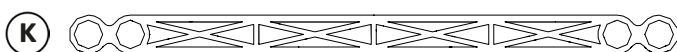
**E** x2  
CONICAL WASHER



**F** x2  
WASHER



**I**  
HEX KEY



**K**  
SPACER

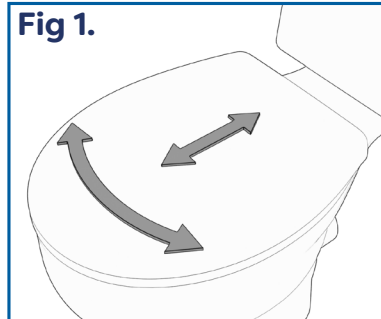


**G** x2  
NUT

# INSTALLATION

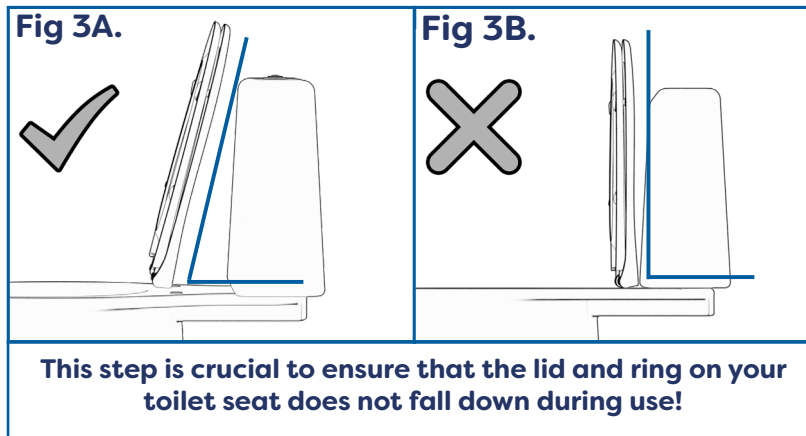
1. Remove the old seat from the pan and clean the surface around the fixing holes.
2. Ensure the surfaces around the fixing holes are completely dry and free of any dust or debris before beginning the installation.
3. To ensure you do not lose any dropped components in the toilet pan, place cling film over the toilet bowl.

**4. COMPLETE STEPS 4, 5 & 6 BEFORE REMOVING THE HYGIENE FILM** from the toilet seat. Position the seat over your pan to ensure the shape and profile of the toilet seat matches your toilet pan. (See Fig. 1)



**5.** Align the front edge of the toilet seat with the front of your toilet pan. Hold your hand at the back of the toilet seat and using it as a pivot, raise the toilet seat. (See Fig. 2)

**6.** The seat should be able to rest backwards at an angle. If it cannot rest at an angle and can only rest vertically, the seat **WILL NOT** function correctly. (See Fig. 3A & 3B)

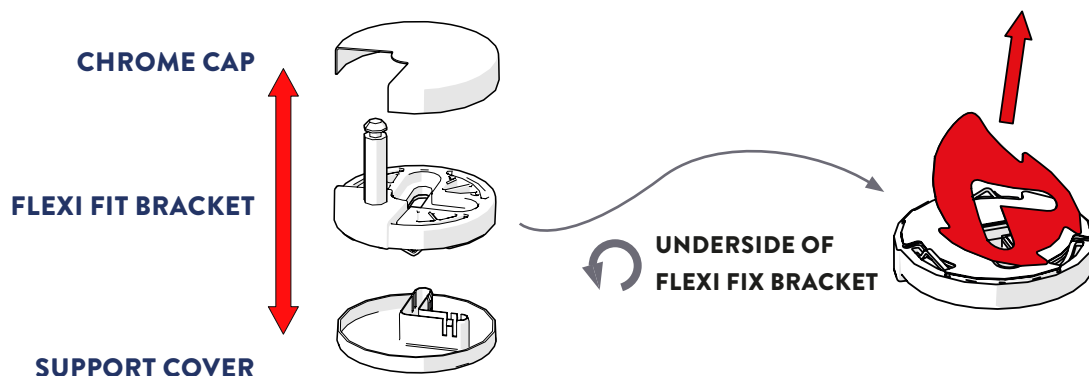


**7. ONLY ONCE YOU ARE SATISFIED THAT THE TOILET SEAT WILL FIT YOUR TOILET PAN SHOULD YOU REMOVE THE HYGIENE FILM.**

**8.** Remove the support covers from the underside of the flexi fix brackets (B) to reveal the adhesive tape and red protective film. (See Fig. 4)

**9.** Carefully peel off the red backing tape from the adhesive pad on both flexi fit bracket (B) assemblies. (See Fig. 4)

Fig 4.



# INSTALLATION

**10.** Identify your toilet pan style. **Loosely** install the flexi fix bracket (B) through the mounting holes using either bottom fix installation (See Fig. 5) or top fix installation (See Fig. 6). **DO NOT COMPRESS THE BRACKETS, THIS MAY RESULT IN THE TAPE STICKING BEFORE YOU ARE SATISFIED WITH THEIR POSITION.**

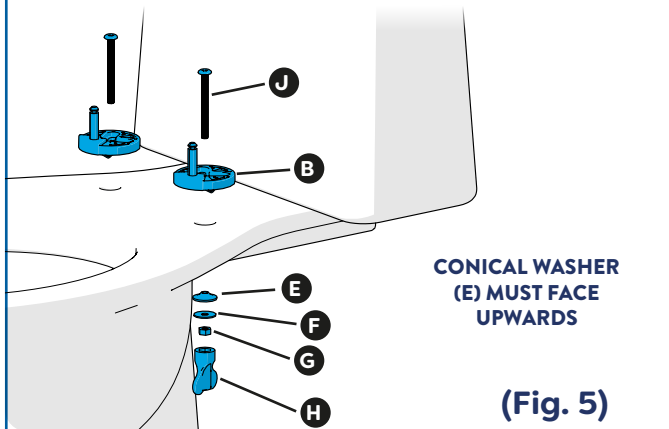
## CHOOSE BETWEEN

### BOTTOM FIX INSTALLATION

This installation is designed to be used on 'standard' toilets with access below the toilet pan.



Examples of Bottom Fix toilet pans.



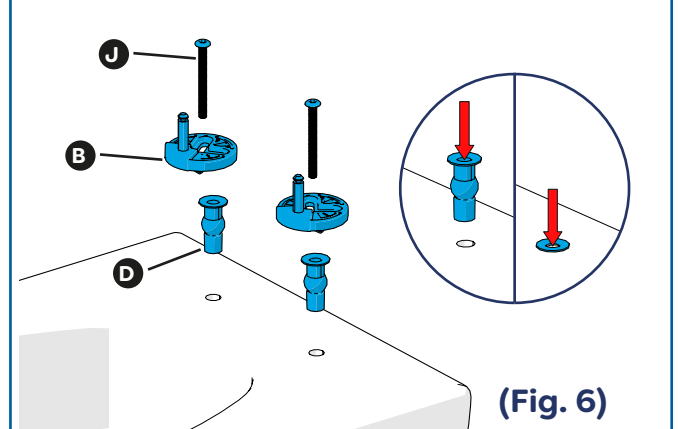
### TOP FIX INSTALLATION

This installation is designed to be used on 'back to wall' toilets with no access below the toilet pan.

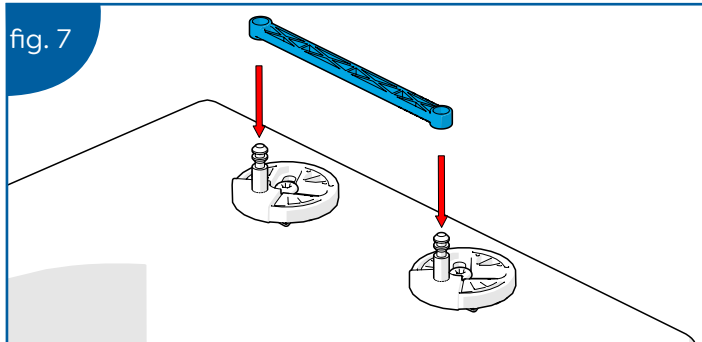


Examples of Top Fix toilet pans.

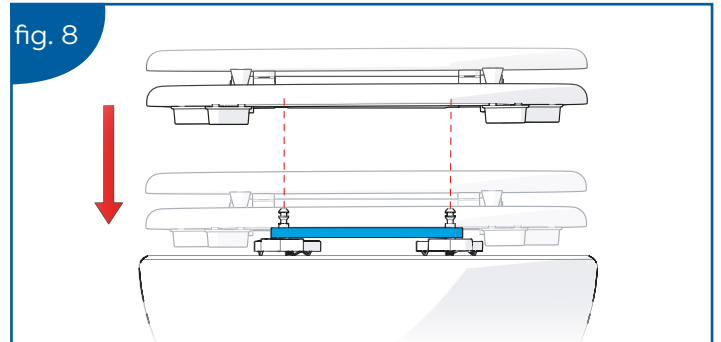
OR



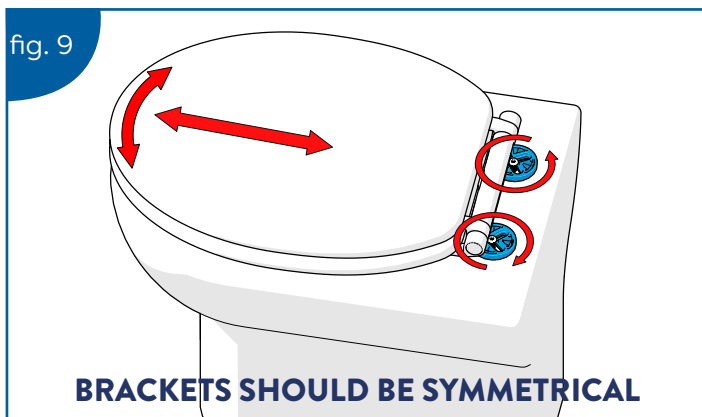
**11.** Slide the spacer (K) onto both pillars. Rotate the flexi fit brackets if necessary. (See Fig. 7)



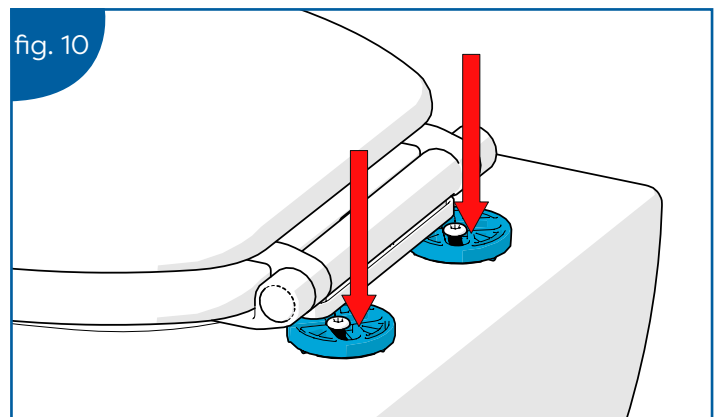
**12.** Lay the seat onto the pillars and rest it on the spacer (K). (See Fig. 8)



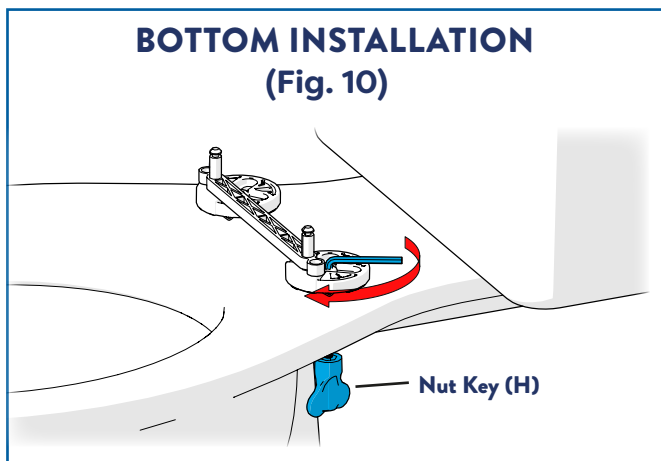
**13.** Align the seat with your toilet pan by rotating and sliding the flexi fit brackets (B). If required, lift the seat off the pillars to help with the adjustment. (See Fig. 9)



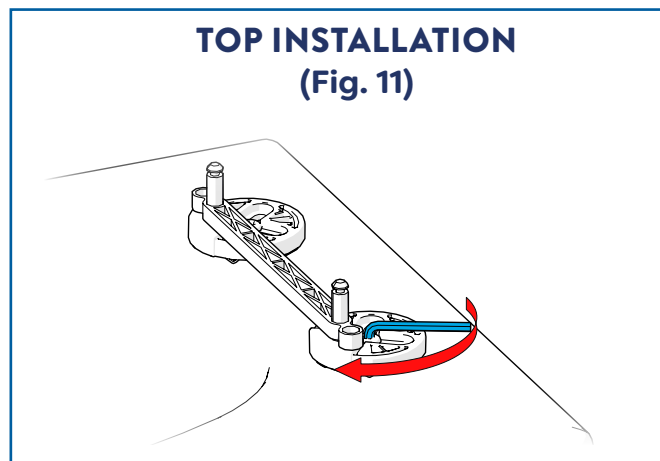
**14.** Once you are confident with the position of your seat, apply pressure on each flexi fit bracket (B) and collapse the supports. **Hold down for 20 seconds.** (See Fig. 10)



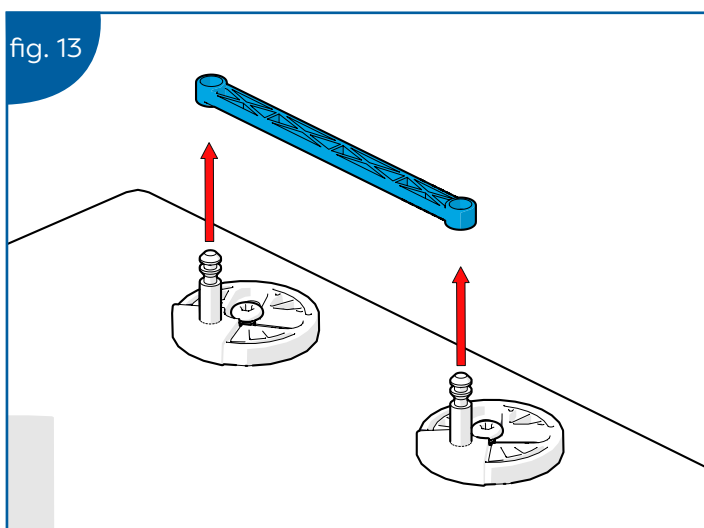
**15.** Carefully remove the seat **without disturbing the bracket positions** and fully tighten the screws (J) to firmly secure the flexi fix brackets (B). (See Fig. 10 and 11). **Do not to over-tighten.**



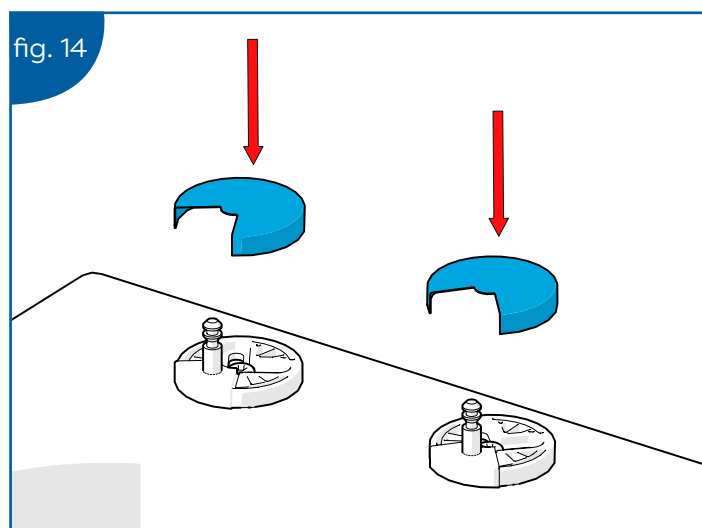
OR



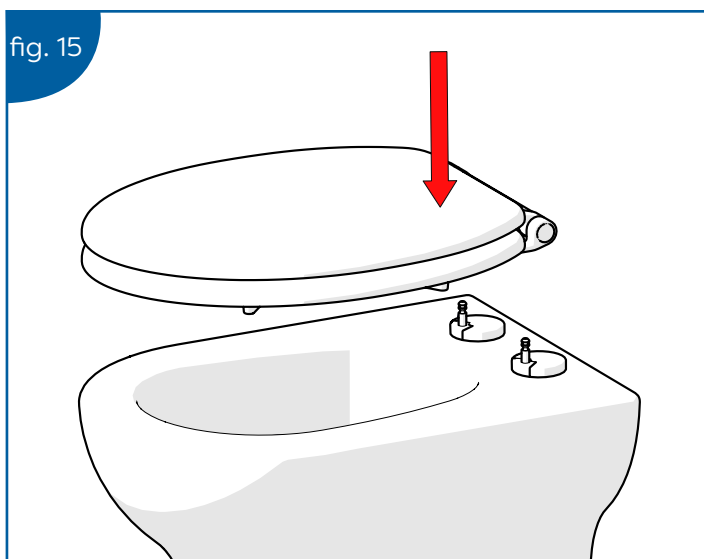
**16.** Remove the spacer (K) from the flexi fit bracket (B). (See Fig. 13)



**17.** Place the chrome caps (A) onto the flexi fix brackets (B). (See Fig. 14)



**18.** Attach the seat onto the hinges to complete the installation. You should hear a click to confirm it is engaged. (See Fig. 15)



**19.** To activate the quick release function, press and hold the button, then lift the seat away. (See Fig. 16)

